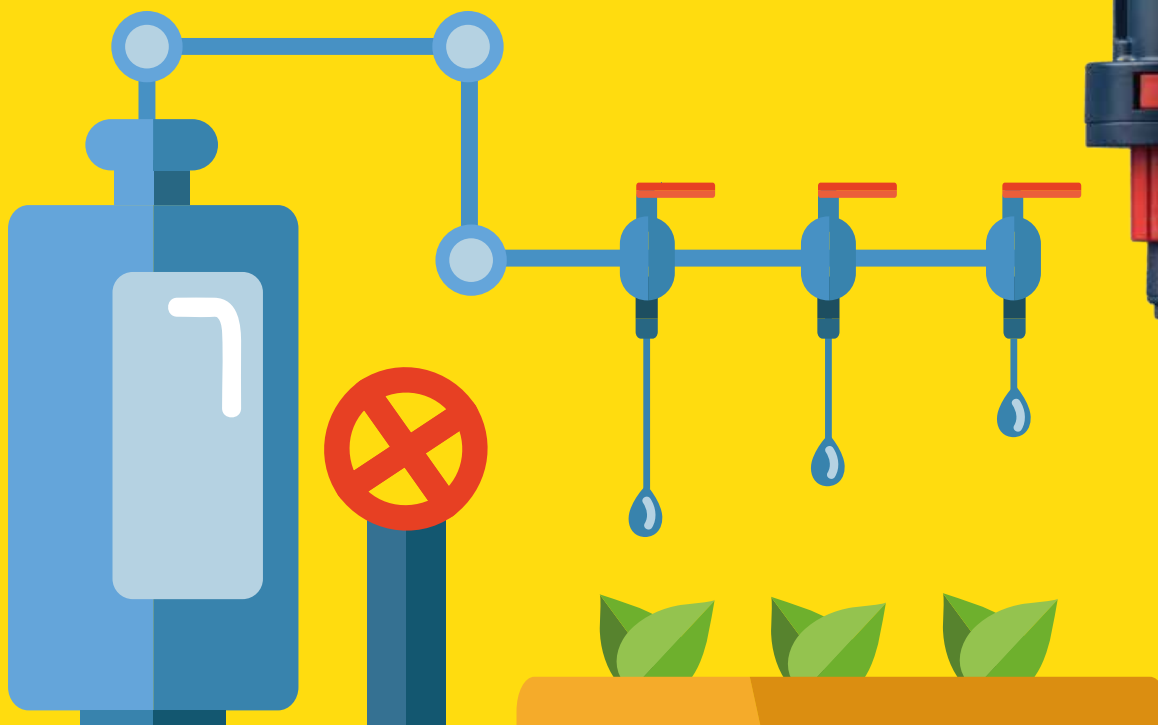


miXtron

SMALL DROPS FOR A BETTER WORLD

WATER POWERED INJECTOR





Mixtron is a young family-owned business with its head quarter based in Reggio Emilia (Italy) born as a result of over 50 years of experience in the precision mechanics, power transmission and hydraulic components sectors.

Mixtron provides not just a technical and technological solution for each industry but a one-of-a-kind system design and customer care service thanks to a significant ability to interpret customers' needs and market trends.

Due to an extensive sales network and associates in various application fields, **Mixtron** has developed a wide range of products for the Metalworking, Fertilization, Irrigation, Car Washing, Food and Beverage, Chemical and Printing industries.



WHAT IS IT?

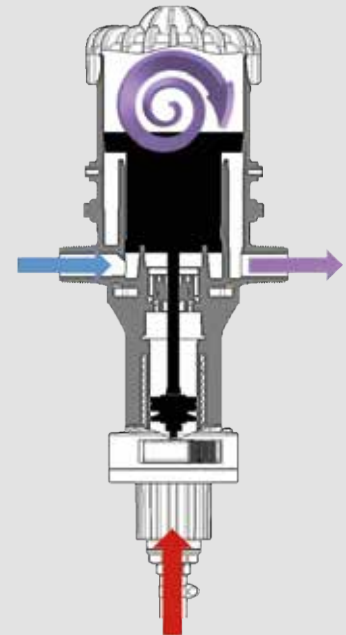
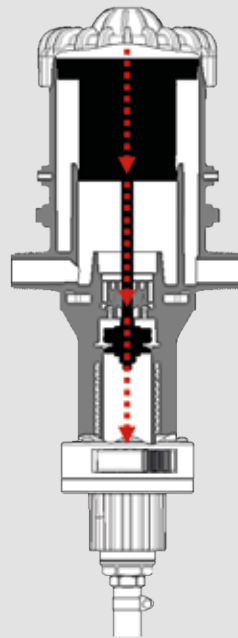
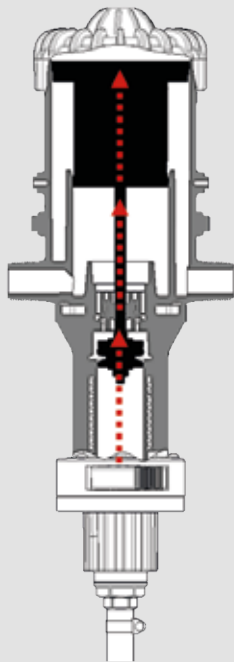
Mixtron injector is a dosing and mixing hydraulic system installed directly in the water supply line that allows users to create an homogenised solution always proportional to the volume of water regardless of changes in flow or pressure.

HOW DOES IT WORK?

1 The water flow activates Mixtron injector

2 The additive at the desired percentage is mixed to water creating an homogenised solution

3 The solution is pushed downstream by the water pressure



FERTIGATION APPLICATIONS

The global growth of intensive, biological and niche cultivations has led us to develop of proportional volumetric doser range characterised by technical, innovative and advanced solutions, aimed to best guarantee dose precision even in the most critical environmental conditions. Our specific production is an essential tool for those who work in this industry and anyone who has to guarantee an product, dispensed in precise percentages necessary for fertilization or pest control. Thanks to their easy application, our dosers can even be installed on self-propelled vehicles to optimise the time required to fertilize or irrigate large plots of land. Mixtron dosers are the only ones on the market to come with pressure and temperature gauges which, visually, can provide the operator with a clear indication of whether the conditions of use are optimal or whether adjustments are required to avoid overheating problems.

Mixtron's proportional dosing pumps are able to dose treatments such as:

- ◆ Fertilisers
- ◆ Pesticides
- ◆ pH Stabilisers v Sanitizers
- ◆ Vitamins
- ◆ Minerals
- ◆ Supplements

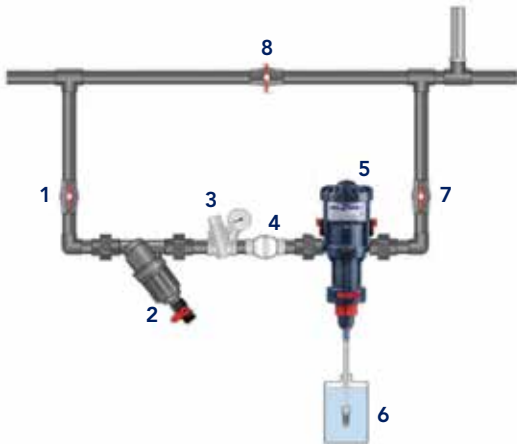


FEATURES

- ◆ Quick and easy to install
- ◆ No engine, water powered
- ◆ Low maintenance
- ◆ Robust and durable (AISI 316 metal components and springs)
- ◆ Operating temperature thermometers
- ◆ Dosing ratio easily adjusted
- ◆ Cleaning inlets
- ◆ Max additive viscosity 400 cSts at 25° C [77 °F]



SUGGESTED **INSTALLATION** FOR FERTIGATION APPLICATIONS



- | | | | |
|---|-------------------------------|---|--------------------|
| 1 | Cock – Supply Line | 5 | Mixtron's Doser |
| 2 | Water Filter
(60-130 mesh) | 6 | Additive Tank |
| 3 | Pressure
Regulator | 7 | Cock - Outlet Line |
| 4 | Check Valve | 8 | By-Pass Valve |

PRODUCT RANGE

MODEL	FLOW RANGE
-------	------------

MX.075	0,005 - 0,75 m3/h 5 - 750 l/h
---------------	----------------------------------

MODEL	FLOW RANGE
-------	------------

MX.150	0,01 - 1,50 m3/h 10 - 1500 l/h
---------------	-----------------------------------

MODEL	FLOW RANGE
-------	------------

MX.250	0,01 - 2,50 m3/h 10 - 2500 l/h
---------------	-----------------------------------

MODEL	FLOW RANGE
-------	------------

MX.300	0,01 - 3,00 m3/h 10 - 3000 l/h
---------------	-----------------------------------



DOSING RATIO

0,03 - 0,3 %	0,2 - 2%	0,5 - 4%	1 - 5%	1 - 10%
1:3000 - 1:350	1:500 - 1:50	1:200 - 1:25	1:100 - 1:20	1:100 - 1:10



MIXTRON srl

Via Curiel 7 - 42025 Cavriago - RE - Italy - Tel. +39 0522 944330

email: info@mixtron.it - web: www.mixtron.it